

**BOON EDAM**
YOUR **ENTRY** EXPERTS.

LOW LEVEL SECURITY

WINGLOCK SWING.

THE **INTUITIVE** SINGLE-WING **ACCESS GATE**





OVERVIEW

As buildings get larger, with higher throughput, the need to manage more traffic flow rises. The Winglock Swing is the ideal secure entrance solution to handle disabled and delivery access where a wide lane is required. Constructed from stainless steel and a single glass panel, the lane is elegant and unobtrusive in nature and design.

EASY BI-DIRECTIONAL TRAFFIC

This aesthetic access gate has been designed to manage bi-directional traffic with effortless ease, using smart, intuitive technology to guide each visitor through to their destination without delay or inconvenience. An array of proven and clear light signals indicate actions such as: in use, authorized, not authorized, closing and standby. They show as pulsing and quick blinking to guide your visitors through the access gate.

SUSTAINABLE, STABLE AND SECURE

The Winglock Swing has an impressively low carbon footprint, using only 9 Watts in Standby Mode and 20 Watts when in motion. This access gate is installed using a substantial floor mounting plate, alleviating the need for a supporting side post. Our engineers have also gone so far as to develop alternative floor mounting options for common floor challenges.

KEY FEATURES

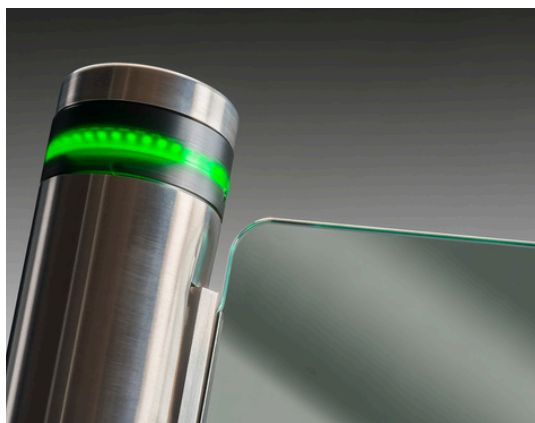
- Slim, modern design
- Frameless wing design with invisible clamps
- Bi-directional, sequential traffic flow
- Intelligent and proven LED lights guide users through the gate
- External control panel integration
- Tamper and vandal resistant glass
- Small footprint
- Smooth, swinging-motion wing
- Premium quality materials
- Additional flexible options available to fine-tune or 'Level Up'

KEY BENEFITS

- Wide passage for disabled access and goods delivery
- Transparent and unobtrusive
- Low carbon footprint – economical
- Uncomplicated to operate
- Works well as part of a larger lane configuration or as a stand-alone option
- Easy to clean and hygienic

SUGGESTED SEGMENTS

- Corporate offices
- Multi-story tenant buildings
- Public spaces (museums, cinemas, swimming pools)
- Universities and educational facilities



PUTTING THE POWER BACK IN YOUR HANDS

One size does not fit all, and that is why we at Boon Edam believe in offering modular solutions. This approach allows the security professional to design a tailored entrance solution that balances security and safety with aesthetics.

The result is a unique entrance that fits the needs of each industry, application and individual company. To get started, choose from an array of quality standard options. Then, 'Level Up' where it matters most to your company – whether that be in terms of throughput, security, safety, aesthetics, technology or user comfort – or a combination of each. A modular solution approach truly puts the power back into your hands - the power to create a refined entry with ease.

SCALABLE FLEXIBILITY IS THE FUTURE

The ability to integrate secondary security technology or visitor management software into our access gates is the ideal way to fine-tune or "Level Up" your entrance. In this case by adding these features under the security consideration, you can easily heighten the amount of protection offered by your gate.

Meeting your security goal easily and within your budget is the reason why we work together with you to ensure that by using these options, you end up with a product that outperforms the others safely, beautifully and profitably.

You can level up in any of these categories:

- THROUGHPUT
- SECURITY
- SAFETY
- AESTHETICS
- TECHNOLOGY
- COMFORT
- SERVICE

LEVEL UP



If our standard specifications do not quite suit your needs, we open up opportunities for you to 'Level Up' where it counts most. You can also do this according to your most motivating value driver:

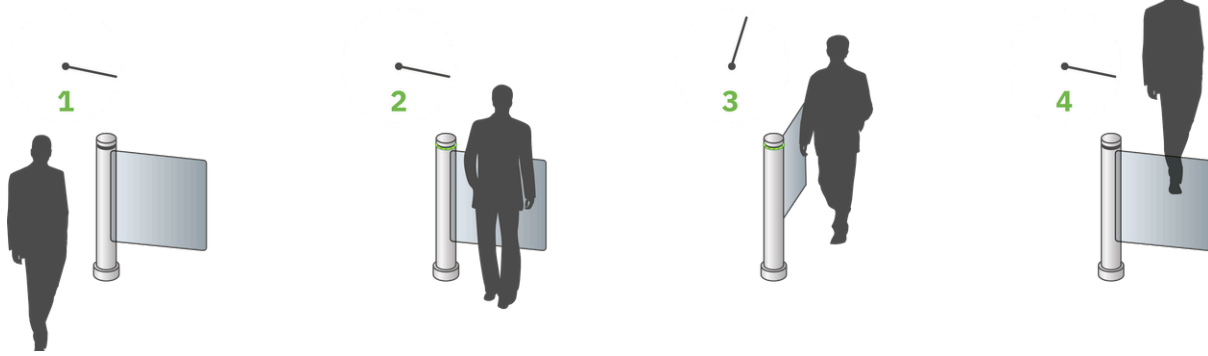
The specification table shows you our standard product options, and to the right of these, you can easily see, and consider, any compatible 'Level Up' options for fine-tuning the Winglock Swing.



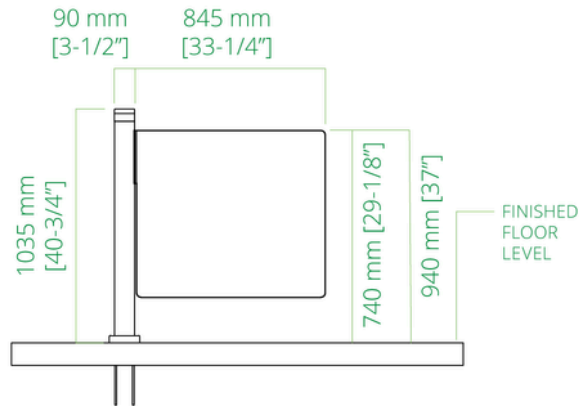
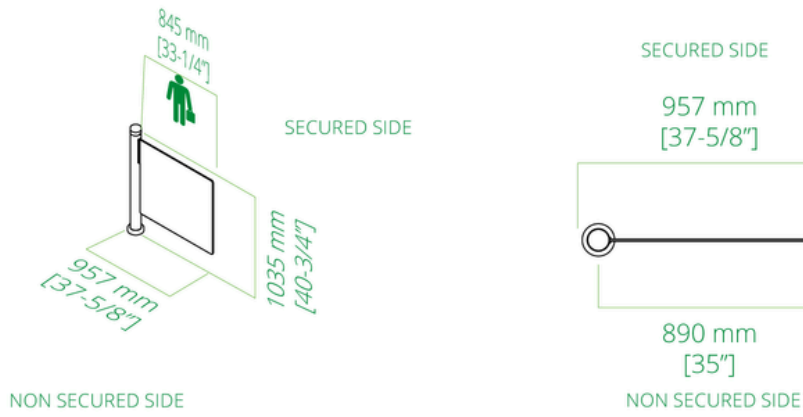
TECHNICAL SPECIFICATIONS

 THROUGHPUT	STANDARD	LEVEL UP OPTIONS
Throughput	6-8 People per minute	
Post Width	3-1/2" / 90 mm	
Post Height	40-3/4" / 1035 mm	
Overall Width	37-5/8" / 957 mm (including mounting flange)	
Passage Width	36-1/8" / 916 mm	
Number of Wings	1	
Wing Width x Height	33-1/4" W x 37" H (845 mm x 940 mm)	33-1/4" W x 38-5/8" H (845mm x 980 mm)
 SECURITY	STANDARD	LEVEL UP OPTIONS
Multiple Authorization Memory	Card stacking is available	
 SAFETY	STANDARD	LEVEL UP OPTIONS
Fail Safe Operation	Upon power loss, lock will disengage allowing the user to push the barrier open	
Fire Alarm Connection	Upon fire alarm, the barrier can be configured to open in direction of egress	
 AESTHETICS	STANDARD	LEVEL UP OPTIONS
Barrier Material	10mm tempered glass	
Frame Material	Stainless steel	
 TECHNOLOGY	STANDARD	LEVEL UP OPTIONS
Power Supply	100 - 240 VAC, 50/60 Hz	INTEGRATION OPPORTUNITIES:
Power	Operating: 20W Stationary: 9W	<ul style="list-style-type: none"> BoonTouch external control panel (up to 6 lanes)
Operating Temperature	-20°C / -4°F to +50°C / +122°F	
Weight	106 lbs / 48 kg	
Access Control Systems	Dry contacts for virtually any access control device	
Card Reader Mount	-	External pedestal for mounting readers
 COMFORT	STANDARD	LEVEL UP OPTIONS
Disabled Access	The standard passage width allows for disabled access	

WORKING PRINCIPLE



TECHNICAL DIMENSIONS





SERVICE AND MAINTENANCE

With hundreds or thousands of visitors passing through an entry every day, continued and reliable operation is vital. Regular service and maintenance can prevent unexpected hardware breakdowns. Boon Edam's service and maintenance teams across the world are experienced in the effects the local conditions have on the wear and tear of your entry solutions and can offer specialized service and maintenance contracts that correspond to those conditions perfectly.



COMPLIANCE

The goal of an organization is to safeguard the valuable assets inside – both people and property. As is often the case, industries must comply with relevant local and global laws, policies and regulations, to achieve the important goal of overall safety and security. Failure to meet the appropriate measures and criteria set out in these regulations could result in catastrophic incidents and substantial fines.

Boon Edam security entrances are trusted solutions that allow organizations to meet compliance regulations related to restricting access to areas within a building. We take compliance and safety very seriously and ensure that our products are manufactured, installed and maintained to keep up the strict criteria required in all our countries. We are always improving and always committed to making sure our products are compliant and certified. More information can be found on our website under 'About Us'.

OUR REACH IS GLOBAL.

We have been in business for 150 years manufacturing premium aesthetic and security entrance solutions in the Netherlands, United States of America and China. We can confidently say that we cover every corner of the globe with subsidiary companies in major cities across the globe. Furthermore our global export division not only partner with our distributors, but also offer direct sales and service to every territory. This wide net allows us to have a strong global footprint as well as a personal grasp of local markets and their unique entry requirements.

To find your closest Boon Edam expert, please go to:
www.boonedam.us/contact



Boon Edam Inc.
T +1 910 814 3800
E sales@boonedam.us
I www.boonedam.us


BOON EDAM
YOUR ENTRY EXPERTS.