

**BOON EDAM**
YOUR **ENTRY** EXPERTS.

VISITORS
←
EMPLOYEES
→



DETER UNAUTHORIZED ENTRY

TRILOCK SIDE GATE.

THE ALL ACCESS RESILIENT GATE





OVERVIEW

With almost all buildings in the public and private environment, the entrance has to be accessible to everyone. At the same time, buildings are incorporating barriers into their lobbies and reception areas to help them manage access control to restricted areas. Wide lane solutions, such as access gates are the answer - providing easy disabled access, wheelchair accessibility and allowing large objects such as goods deliveries to pass through an entrance. The Trilock side gate can be used as a stand-alone entrance solution, or in combination with the Trilock tripod turnstile series.

STURDY CONSTRUCTION, HIGH EFFICIENCY

The Trilock side gate is designed to coordinate with any Boon Edam tripod turnstile. The sturdy footprint provides durable, yet efficient entry for both large crowds and deliveries.

THE POWER OF ACCESS CONTROL

This access gate can easily be added to your turnstile configuration and integrated with our universal control panel, the BoonTouch. This remote control panel can support any combination of up to 6 security access solutions and is compatible with most of the solutions in our product range. Its user-friendly interface allows for each solution to be operated separately or all at the same time. Moreover, the BoonTouch will show any alarm situation at the lane directly at the reception or security desk.

KEY FEATURES

- Above-floor mounted
- Self-closing
- Field configurable operation
- Robust design and construction
- One-way or two-way operation
- Swinging-motion barrier
- Additional flexible options available to fine-tune or 'Level Up'

KEY BENEFITS

- Compact footprint utilizes less floor space
- Integrates with access control systems
- Low carbon footprint – economical
- Wide passage for disabled access and goods delivery
- Easy to clean and sanitary
- Uncomplicated manual operation

SUGGESTED SEGMENTS

- Public buildings
- Commercial buildings
- Corporate offices
- Office buildings
- Education

PUTTING THE POWER BACK IN YOUR HANDS

One size does not fit all, and that is why we at Boon Edam believe in offering modular solutions. This approach allows the security professional to design a tailored entrance solution that balances security and safety with aesthetics.

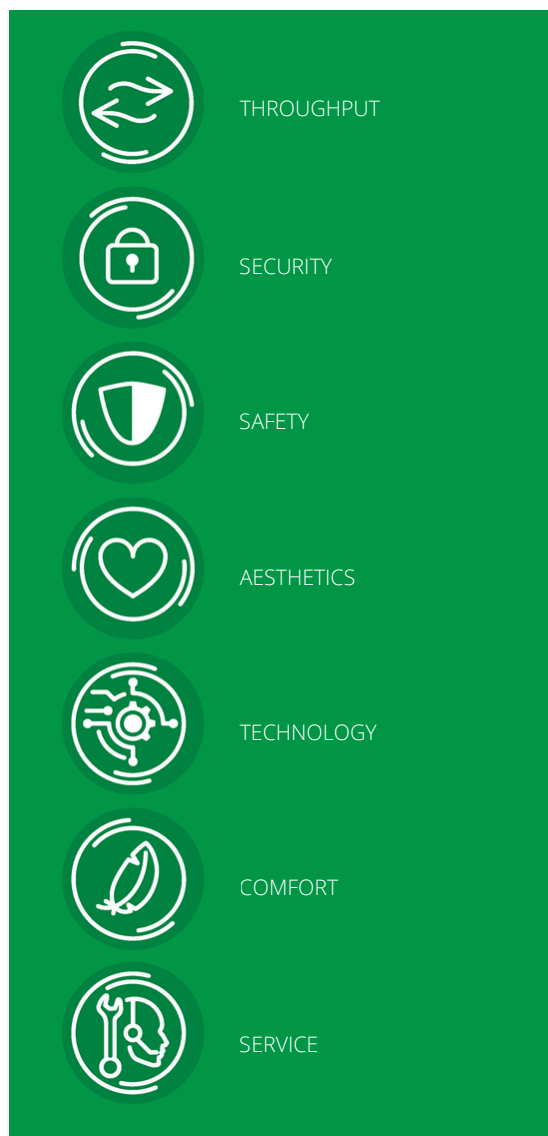
The result is a unique entrance that fits the needs of each industry, application and individual company. To get started, choose from an array of quality standard options. Then, 'Level Up' where it matters most to your company – whether that be in terms of throughput, security, safety, aesthetics, technology or user comfort – or a combination of each. A modular solution approach truly puts the power back into your hands - the power to create a refined entry with ease.

SCALABLE FLEXIBILITY IS THE FUTURE

The ability to integrate a large variety of secondary security technology into our access gates is the ideal way in which to fine-tune by 'Leveling Up' their entrance security when increased protection is required.

Meeting your security goal easily and within your budget is the reason why we work together with you to ensure that by using these options, you end up with a product that outperforms the others safely, beautifully and profitably.

You can level up in any of these categories:



LEVEL UP



If our standard specifications do not quite suit your needs, we open up opportunities for you to 'Level Up' where it counts most. You can also do this according to your most motivating value driver.

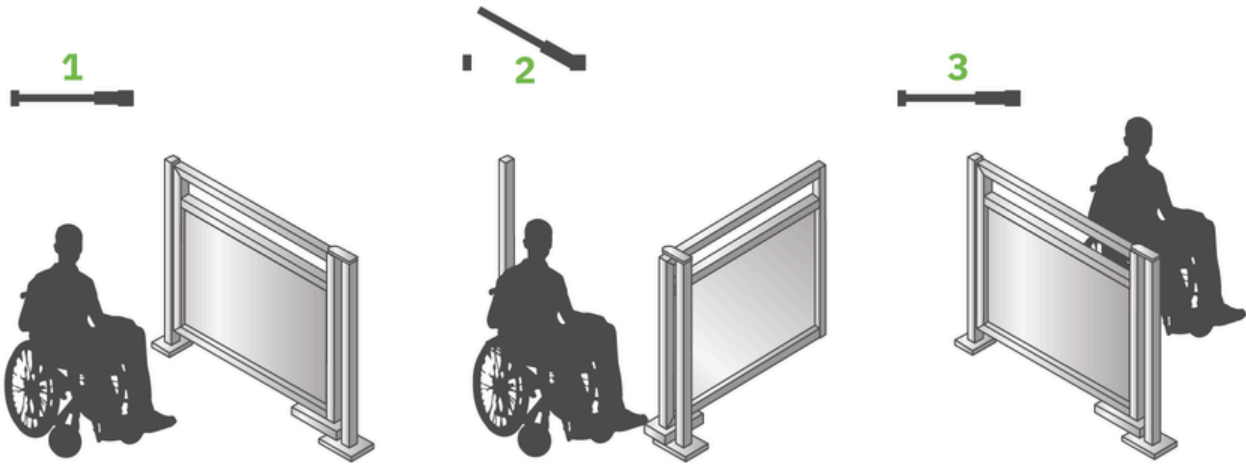
The specification table shows you our standard product options, and to the right of these, you can easily see, and consider, any compatible 'Level Up' options for fine-tuning the Trilock Side Gate.



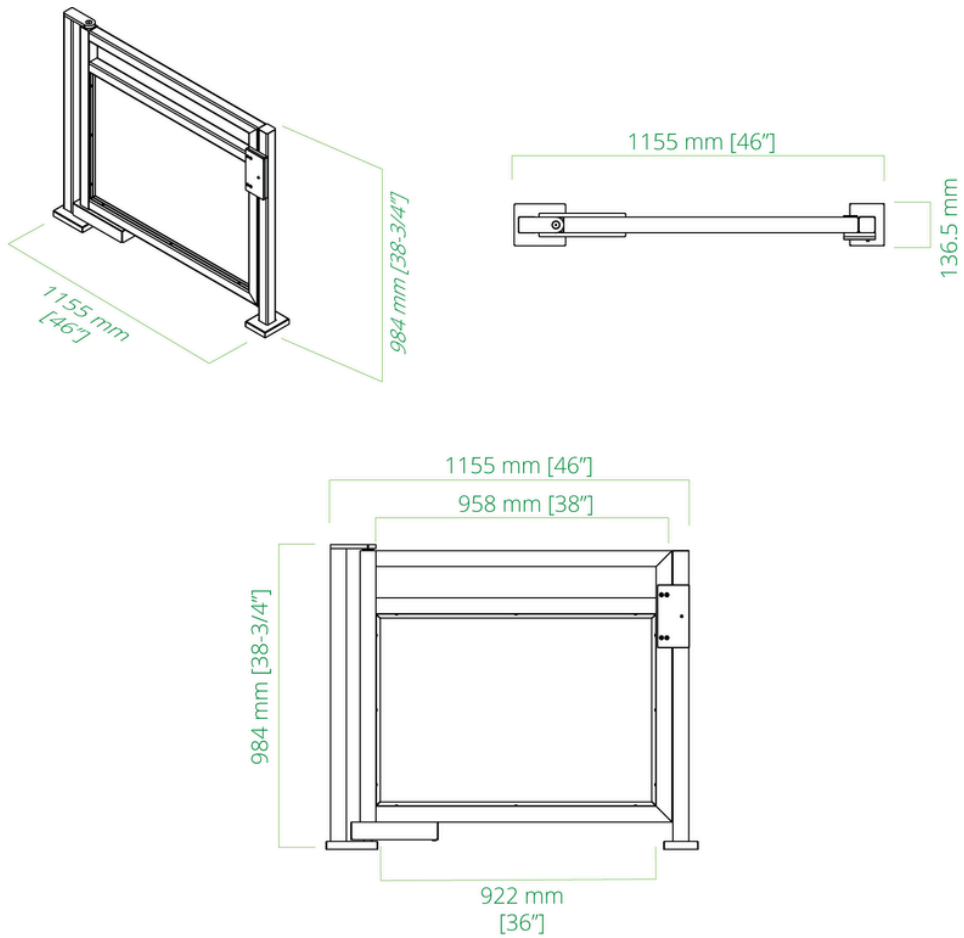
TECHNICAL SPECIFICATIONS

 THROUGHPUT	STANDARD	LEVEL UP OPTIONS
Throughput	15-20 People per minute	
Barrier Height	964 mm / 38"	
Overall Height	984 mm / 38-3/4"	
Passage Width	922 mm / 36"	1073 mm / 42"
Overall Lane Width	1155 mm / 46"	1321 mm / 52"
Mounting	Above-floor installation	
Operation	Manual operation	
 SECURITY	STANDARD	LEVEL UP OPTIONS
Access Control Integration	Dry contacts for virtually any access control device	
Self-Closing	Barrier automatically closes to original position	
Lock Mechanism	Electric strike	Magnetic lock, electric deadbolt, mechanical deadbolt
Remote Push Button	-	Gate will unlock at the push of a button
 SAFETY	STANDARD	LEVEL UP OPTIONS
Fail Safe Operation	Lock disengages in the event of a power failure	Fail secure: lock remains locked in the event of a power failure
Fire Alarm Connection	Emergency egress settings depending on local regulations and or customer request	
Panic Bar	-	Unlocks gate to allow egress
 AESTHETICS	STANDARD	LEVEL UP OPTIONS
Finish	Stainless steel #4	
Barrier Material	Polycarbonate	
 TECHNOLOGY	STANDARD	LEVEL UP OPTIONS
Power Supply	24 VDC (provided by others)	24 VDC (provided by Boon Edam)
Operating Power	18 W	INTEGRATION OPPORTUNITIES:
Operating Temperature	+5°F to +113°F	<ul style="list-style-type: none"> BoonTouch external control panel (up to 6 lanes)
Weight	57 kg / 125 lbs	
Card Reader Mount	-	External pedestal for mounting readers
 COMFORT	STANDARD	LEVEL UP OPTIONS
Disabled Access	The standard passage width allows for disabled access	
Wheelchair Logo on Barrier	-	Available by request

WORKING PRINCIPLE



TECHNICAL DIMENSIONS





SERVICE AND MAINTENANCE

With hundreds or thousands of visitors passing through an entry every day, continued and reliable operation is vital. Regular service and maintenance can prevent unexpected hardware breakdowns. Boon Edam's service and maintenance teams across the world are experienced in the effects the local conditions have on the wear and tear of your entry solutions and can offer specialized service and maintenance contracts that correspond to those conditions perfectly.

COMPLIANCE

The goal of an organization is to safeguard the valuable assets inside – both people and property. As is often the case, industries must comply with relevant local and global laws, policies and regulations, to achieve the important goal of overall safety and security. Failure to meet the appropriate measures and criteria set out in these regulations could result in catastrophic incidents and substantial fines.

Boon Edam security entrances are trusted solutions that allow organizations to meet compliance regulations related to restricting access to areas within a building. We take compliance and safety very seriously and ensure that our products are manufactured, installed and maintained to keep up the strict criteria required in all our countries. We are always improving and always committed to making sure our products are compliant and certified. More information can be found on our website under 'Our Responsibility'.



OUR REACH IS GLOBAL.

We have been in business for 150 years manufacturing premium aesthetic and security entrance solutions in the Netherlands, United States of America and China. We can confidently say that we cover every corner of the globe with subsidiary companies in major cities across the globe. Furthermore our global export division not only partner with our distributors, but also offer direct sales and service to every territory. This wide net allows us to have a strong global footprint as well as a personal grasp of local markets and their unique entry requirements.

To find your closest Boon Edam expert, please go to:
www.boonedam.us/contact



Boon Edam Inc.
T +1 910 814 3800
E sales@boonedam.us
I www.boonedam.us


BOON EDAM
YOUR ENTRY EXPERTS.