



**BOON EDAM**  
YOUR **ENTRY** EXPERTS.

**TQM.**

---

THE **ORIGINAL, MEDIUM CAPACITY** MANUAL REVOLVING DOOR



## OVERVIEW

The TQM is a versatile and modern manual revolving door ideal for office buildings, restaurants, hotels and retail stores. Available in virtually every color or finish, with three or four door wings and with a variety of door set options, it is the ultimate solution for many different types of buildings.

## AN INVENTION TO REDUCE AIR INFILTRATION

When sliding or swinging doors open they create a hole in the building, exchanging conditioned, comfortable air with the outdoors. They create frigid, unpleasant interior spaces during the winter and they “blow out” very expensive, conditioned air in the summer. In both cases, the HVAC system must cycle more often to compensate for lost conditioned air and consume more energy. Double door vestibules are common, but during peak traffic times remain open and allow large amounts of air to be exchanged. When spaces are small or at a premium, they consume valuable floor space that can be devoted to displays, merchandise or seating.

Revolving doors are the most energy efficient entrance solutions available today. The “always open, always closed” principle of a revolving door ensures that the conditioned inside air and the unconditioned outside air remain separated, preventing drafts, dust and noise coming into the building. As less energy is required to maintain the conditioned climate inside the building, revolving doors help reduce the carbon footprint of a building and save on energy costs.

## KEY FEATURES

- 3 or 4-wing configuration
- Moderate throughput
- Manual, low energy operation
- Wide selection of dimensions
- Collapsible door set
- Mechanical speed control
- Horsehair or rubber felt weather-stripping

## KEY BENEFITS

- Sustainable and energy-saving
- Reduced air infiltration
- 100% payback in just a few years
- Allows for repurposing of interior floor space
- Highly customizable (extend your brand)



## PUT YOUR STAMP ON IT

The TQM is available in a variety of finish and color options. In many buildings a powder coated aluminum version is chosen which can be finished in virtually any color, ranging from traditional RAL colors to the deep-matte finishes resembling anodizing.

Our revolving doors are available in a wide variety of heights and widths with varied canopy and under canopy heights, ensuring that many design wishes can be solved with one of our standardized products. If your design falls outside the options that are available, our sales managers and engineers will work with you to create a safe and sustainable entrance that meets your requirements.

## SUGGESTED SEGMENTS

- Corporate office buildings
- Governmental
- Retail
- Restaurants and hospitality
- Airports
- Hospitals
- Hotels

You can level up in any of these categories:



# LEVEL UP



If our standard specifications do not quite suit your needs, we open up opportunities for you to 'Level Up' where it counts most. You can also do this according to your most motivating value driver.

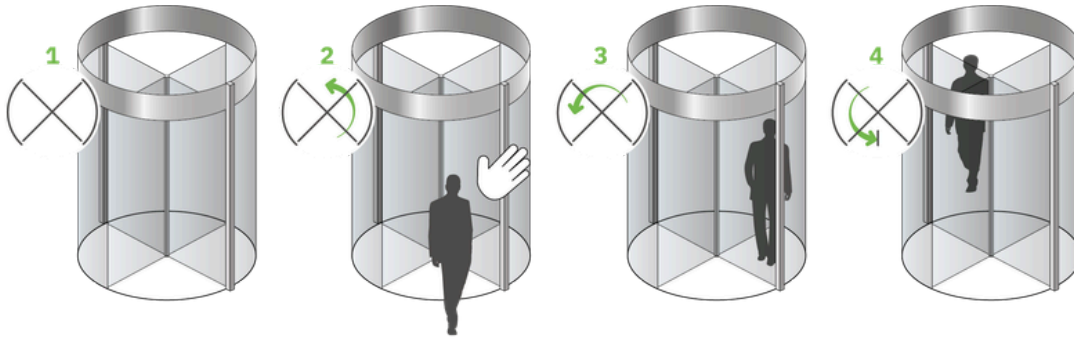
The specification table shows you our standard product options, and to the right of these, you can easily see, and consider, any compatible 'Level Up' options for fine-tuning the TQM manual revolving door.



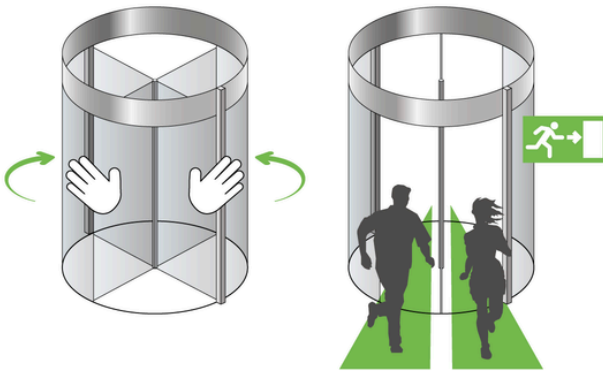
## TECHNICAL SPECIFICATIONS

 THROUGHPUT	STANDARD	LEVEL UP OPTIONS
Throughput	2x 20 - 25 people per minute	
Diameter	6' 6" - 8' 0" / 1985 mm - 2440 mm	Larger door diameters available with BoonAssist TQM revolving door model
Height Under Canopy	7' 0" - 10' 0" / 2135 mm - 3050 mm	
Canopy Height	5-7/8" / 149 mm	
Throat Opening	4' 4-5/8" - 3' 8-3/4" / 1335 mm - 1135 mm	
Number of Doors / Wings	3 or 4	
 SECURITY	STANDARD	LEVEL UP OPTIONS
External Night Locking Doors	-	Bi-parting, sliding doors enclose door's throat opening after-hours
Remote Locking	-	Door wings complete rotation, position and lock via remote signal
Emergency Lockdown	-	Instantly lock door wings via remote push button to prevent intrusion
Access Control Integration	-	Requires remote locking and allows for integrated reader for after-hours access
 SAFETY	STANDARD	LEVEL UP OPTIONS
Emergency Egress	Collapsible door set	
Fire Alarm	Collapsible door set	
Safety Glass	Tempered safety glass	Laminated safety glass, vandal-resistant glass (UL 972)
 AESTHETICS	STANDARD	LEVEL UP OPTIONS
Finish	Anodized aluminum	Additional finishes available upon request
Glass	Clear	Tinted, low iron, decals, etc. available upon request
Canopy Cover	Black HDPE, a thermoplastic polymer	Cover to match door's finish
Door Handles	Horizontal push bars	Vertical push bars
 TECHNOLOGY	STANDARD	LEVEL UP OPTIONS
Speed Control Unit	Ensures the door never spins out of control	BoonAssist TQ revolving door model with low energy drive unit
 COMFORT	STANDARD	LEVEL UP OPTIONS
Lighting	-	LED overhead lights
Power Assist & Positioning	-	Features to improve user experience available with BoonAssist TQ revolving door

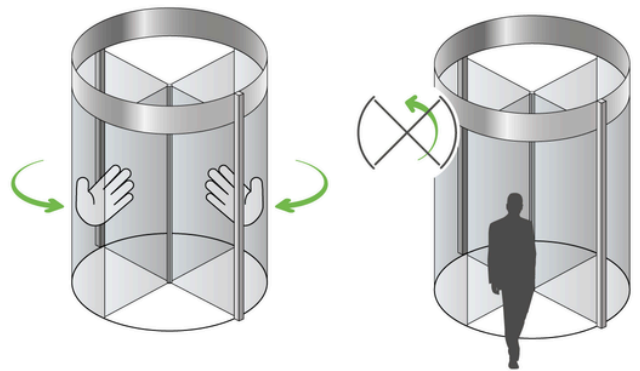
## WORKING PRINCIPLE



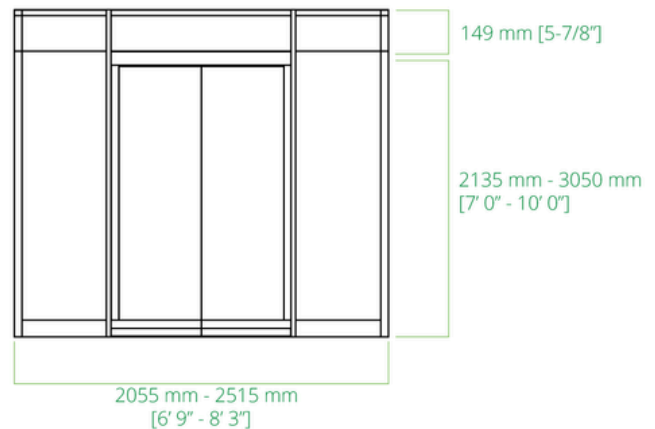
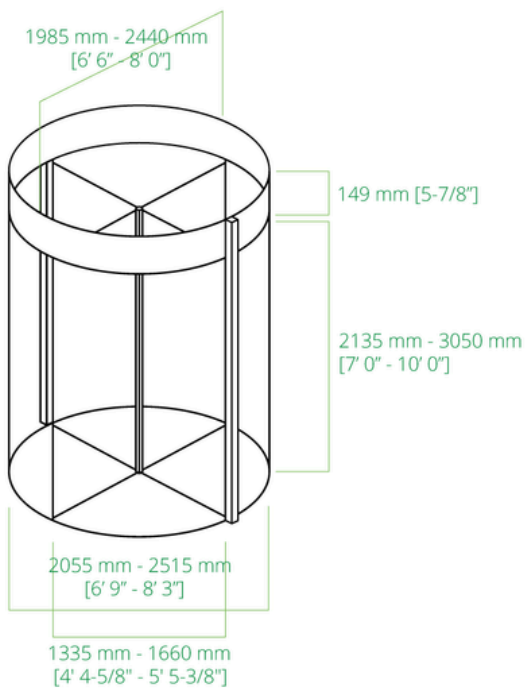
## COLLAPSIBLE DOOR SET DURING FIRE ALARM



## RESET DOOR WINGS AFTER FIRE ALARM



## TECHNICAL DIMENSIONS





## SERVICE AND MAINTENANCE

With hundreds or thousands of visitors passing through an entry every day, continued and reliable operation is vital. Regular service and maintenance can prevent unexpected hardware breakdowns. Boon Edam's service and maintenance teams across the world are experienced in the effects the local conditions have on the wear and tear of your entry solutions and can offer specialized service and maintenance contracts that correspond to those conditions perfectly.

## COMPLIANCE

Boon Edam entrances are trusted solutions that allow organizations to meet compliance regulations related to restricting access to areas within a building. We take compliance and safety very seriously and ensure that our products are manufactured, installed and maintained to keep up the strict criteria required in all our countries. We are always improving and committed to making sure our products are compliant and certified. More information can be found on our website under "About Us."



# OUR REACH IS GLOBAL.

---

We have been in business for 150 years manufacturing premium aesthetic and security entrance solutions in the Netherlands, United States of America and China. We can confidently say that we cover every corner of the globe with subsidiary companies in major cities across the globe. Furthermore our global export division not only partner with our distributors, but also offer direct sales and service to every territory. This wide net allows us to have a strong global footprint as well as a personal grasp of local markets and their unique entry requirements.

To find your closest Boon Edam expert, please go to:  
[www.boonedam.us/contact](http://www.boonedam.us/contact)



**Boon Edam Inc.**  
T +1 910 814 3800  
E [sales@boonedam.us](mailto:sales@boonedam.us)  
I [www.boonedam.us](http://www.boonedam.us)

  
**BOON EDAM**  
YOUR ENTRY EXPERTS.