

150  
YEARS

**BOON EDAM**  
YOUR ENTRY EXPERTS.



DETER UNAUTHORIZED ENTRY

## TURNLOCK 100.

NOW AVAILABLE WITH THE BE SECURE OVERHEAD DETECTION SYSTEM







## OVERVIEW

The Turnlock 100, like all other full height turnstiles, typically remains locked to all inbound traffic flow and unlocked to all outbound traffic flow, but can optionally remain locked in both directions.

Unlocking occurs upon receiving a valid authorization input from an access control system (card reader or biometric device) or a remote push button override.

While it does allow for two-way traffic, it only accommodates traffic flow in one direction at a time.

Unauthorized entry and tailgating are prevented in the standard unit, but piggybacking cannot be prevented without additional sensors. Piggybacking occurs when two people try to enter at the same time and in the same compartment. While the small size of the compartment makes this difficult, it is not impossible.

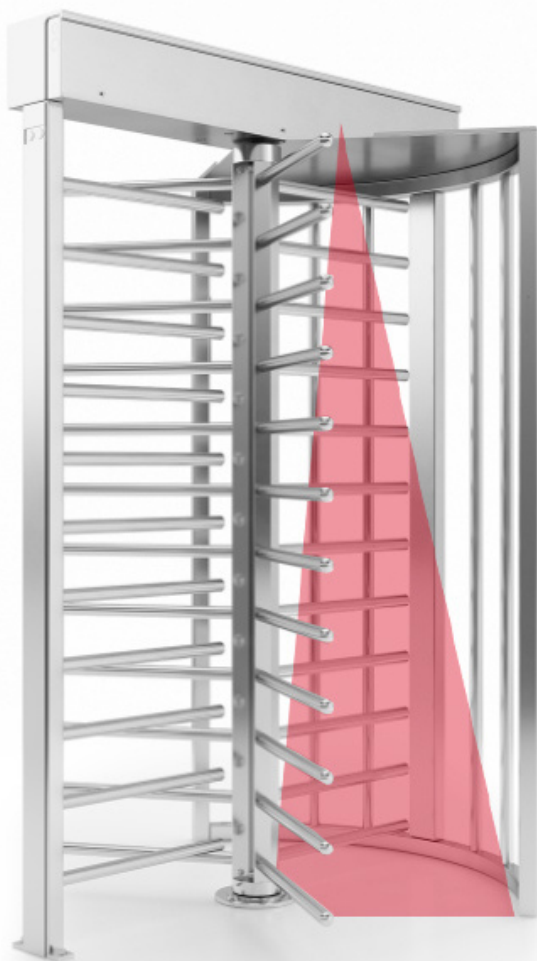


## KEY FEATURES

- Premium materials and heavy-duty construction
- Smooth rotation
- Easy installation and field-configurable
- Mechanical or electrical operation
- Tandem installation for double passage
- Easily integrates with access control systems
- Powered by 110 V-240V power run to the canopy

## KEY BENEFITS

- Capable of operating under abusive conditions
- Minimal maintenance
- Low energy consumption
- Quiet operation
- Easy to re-configure in the field



## PATENT-PENDING OVERHEAD DETECTION SYSTEM

Full height turnstiles have been available for years as a means of deterring unauthorized entry due to their robust design and the fact that they remain locked for inbound traffic until unlocked by either an access control system or a remote guard push button. One of the limitations of traditional full height turnstiles lies with their inability to detect when two people try to enter the same compartment on the turnstile using one credential, nor prevent this from happening.

The new, patent-pending BE Secure overhead detection system is a solution to this limitation. It is available as an option for Boon Edam Turnlock Full Height Turnstiles. Both models, the Turnlock 100 and the Turnlock 150, can be ordered with the BE Secure overhead detection system installed as a factory supplied option and a field retrofit kit. For the Turnlock 200 model, it is only available as "Special Request" from the factory on new shipped products.

A variety of surface finishes are available to match your turnstile including black powder coat, #4 brushed stainless steel, and clear aluminium anodized color.

The anti-piggyback overhead detection system utilizes Time-of-Flight measurement principles (TOF) combined with artificial intelligence (AI) Algorithms.

A sequence of images (3D image streaming) is evaluated within the sensor and distinguishes three states:

- Detection Area Free
- One person passes the detection area
- More than one person in the detection area.

The BE Secure overhead detection system also has a "walk-away" sensor that determines if an authorized user did not pass through the turnstile after receiving authorization. This feature really helps with knowing who is in your building or on your property. It also prevents another person from entering if the authorized person stepped away from the turnstile after receiving authorization.



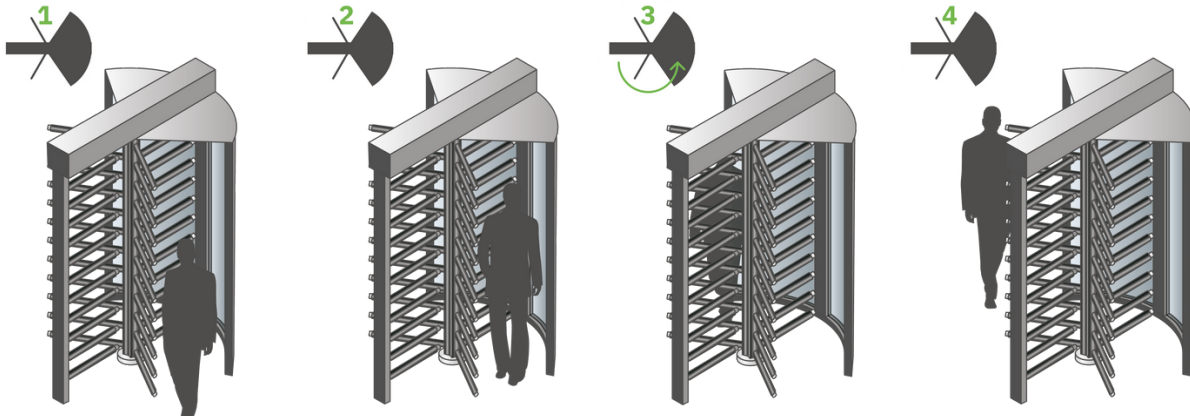
TECHNICAL SPECIFICATIONS

	THROUGHPUT	STANDARD	LEVEL UP OPTIONS
	Throughput	15-20 People per minute	Tandem: 2x 15-20 people per minute
	Diameter	1524 mm / 60"	Tandem: 2441 mm / 96"
	Top Channel Height	203 mm / 8"	Tandem: 203 mm / 8"
	Overall Height	2262 mm / 89"	Tandem: 2262 mm / 89"
	Passage Width	645 mm / 25-3/8"	Tandem: 2x 645 mm / 2x 25-3/8"
	Number of Segments	3	
	Flow	Bi-directional, one direction at a time	Uni-directional, one-way only
	SECURITY	STANDARD	LEVEL UP OPTIONS
	Access Control Integration	Dry contacts for virtually any access control device	
	Key Switch Panel	Manual key override (entry, exit or both) for remote locking/unlocking of turnstile	Electric key override
	SAFETY	STANDARD	LEVEL UP OPTIONS
	Fail Safe Operation	Lock and motor both disengage in the event of a power failure	Fail secure: lock and motor remained locked in the event of a power failure
	Fire Alarm Connection	Emergency egress settings depending on local regulations and or customer request	
	Heel Protectors		Eliminates heel contact during passage
	Extended Arm Lengths		For a more spacious compartment
	AESTHETICS	STANDARD	LEVEL UP OPTIONS
	Frame Material	Galvanized steel	Powder coated, anodized aluminum, stainless steel
	Curved Wall Material	Galvanized steel	Powder coated, anodized aluminum, stainless steel, transparent polycarbonate
	Finished Rotor Covers		Extruded covers create a seamless center rotor shaft
	TECHNOLOGY	STANDARD	LEVEL UP OPTIONS
	Power Supply	110-240 VAC, 50 / 60 Hz	<b>INTEGRATION OPPORTUNITIES:</b>
	Operating Power	60W	<ul style="list-style-type: none"> <li>BoonTouch external control panel (up to 6 lanes)</li> </ul>
	Operating Temperature	-4°F to +131°F	
	Weight	360 kg / 800 lbs	Tandem: 640 kg / 1200 lbs
	Top Channel Protection	Enclosure is IP56 rated to protect electrical components from outside elements	
	Card Reader Mount		Mounting box on end post
	Battery Backup		Extends life for 4 hours after power loss
	COMFORT	STANDARD	LEVEL UP OPTIONS
	Disabled Access		Turnlock Side Gate with 915 mm / 36" passage width
	Visual Cues		Indicator lights on side post turn from red to green upon authorization

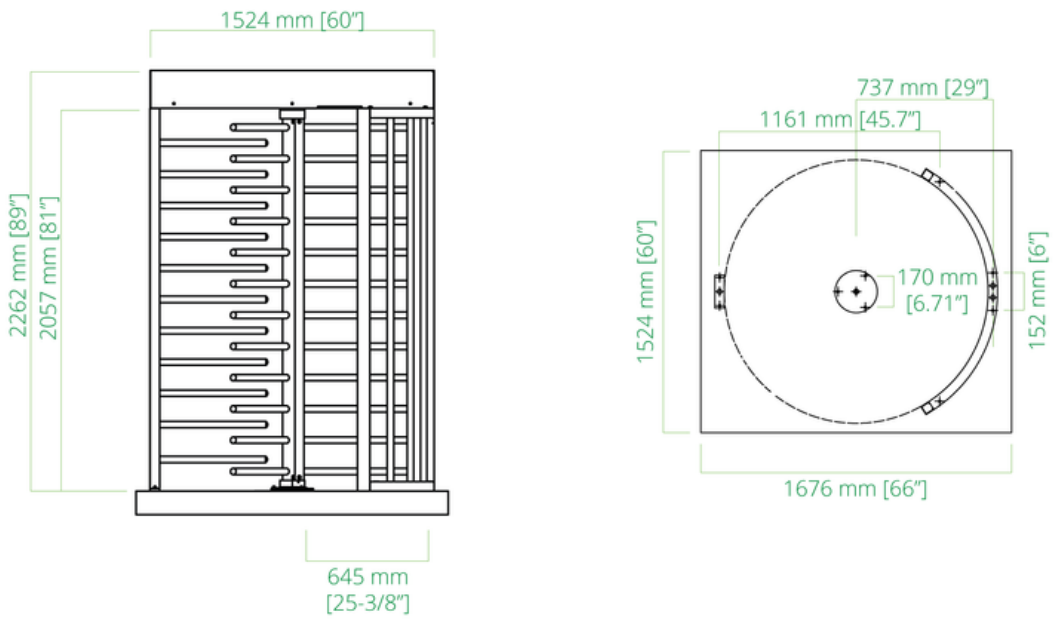


5

WORKING PRINCIPLE



TECHNICAL DIMENSIONS





## SERVICE AND MAINTENANCE

With hundreds or thousands of visitors passing through an entry every day, continued and reliable operation is vital. Regular service and maintenance can prevent unexpected hardware breakdowns. Boon Edam's service and maintenance teams across the world are experienced in the effects the local conditions have on the wear and tear of your entry solutions and can offer specialized service and maintenance contracts that correspond to those conditions perfectly.

## COMPLIANCE

The goal of an organization is to safeguard the valuable assets inside – both people and property. As is often the case, industries must comply with relevant local and global laws, policies and regulations, to achieve the important goal of overall safety and security. Failure to meet the appropriate measures and criteria set out in these regulations could result in catastrophic incidents and substantial fines.

Boon Edam security entrances are trusted solutions that allow organizations to meet compliance regulations related to restricting access to areas within a building. We take compliance and safety very seriously and ensure that our products are manufactured, installed and maintained to keep up the strict criteria required in all our countries. We are always improving and always committed to making sure our products are compliant and certified. More information can be found on our website under 'Our Responsibility'.

### The Turnlock 100 complies with the following American standard:

- UL standard 294
- CAN/ULC standard S319





# OUR REACH IS GLOBAL.

---

We have been in business for 150 years manufacturing premium aesthetic and security entrance solutions in the Netherlands, United States of America and China. We can confidently say that we cover every corner of the globe with subsidiary companies in major cities across the globe. Furthermore our global export division not only partner with our distributors, but also offer direct sales and service to every territory. This wide net allows us to have a strong global footprint as well as a personal grasp of local markets and their unique entry requirements.

To find your closest Boon Edam expert, please go to:  
[www.boonedam.us/contact](http://www.boonedam.us/contact)



**Boon Edam Inc.**  
T +1 910 814 3800  
E [sales@boonedam.us](mailto:sales@boonedam.us)  
I [www.boonedam.us](http://www.boonedam.us)

  
**BOON EDAM**  
YOUR ENTRY EXPERTS.